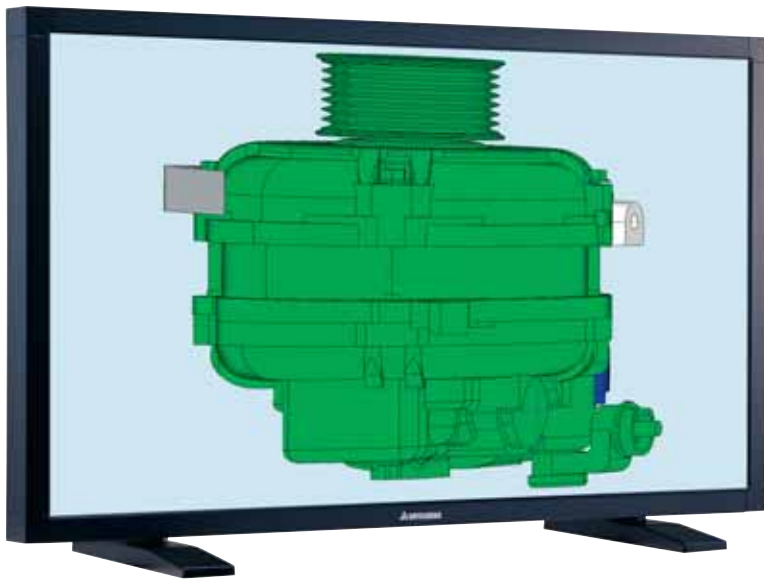


QUAD FULL HIGH DEFINITION - 56" LCD



56P-QF60LCU

56QF 3840 x 2160 RESOLUTION

Mitsubishi's high definition 56" LCD panel has been designed to produce four times higher resolution images than standard HD monitors, with more than eight mega pixels displayed on the panel.

The LCD display has been designed and manufactured to the highest standards to meet the requirements of 'high end' specialist applications, when clarity and detail are paramount.

SPECIFICATIONS

Model	56P-QF60LCU	
Surface treatment	Gloss	
Diagonal	56.2" (142.75 cm)	
Viewable size	1244.16 x 699.84 mm	
Resolution	3840 x 2160	
Pixel pitch	0.108(H) x 0.324(V)	
Color	16,770,000	
View angle (Typ.)*1	88° (Vertical), 88° (Horizontal)	
Brightness (Typ .)	500 cd/m ²	
Contrast ratio (Typ.)	1200 : 1	
Response speed (Typ.)	GTG 6.5 ms ^{*2}	
PC input	Input resolution	1920 x 1080
	Horizontal frequency	67.5 kHz
	Vertical frequency	60 Hz
	Video input	Digital RGB
	Sync	Separate HV sync : TTL level
	Signal input connector	DVI-D
Operational environment	Temperature	5 - 35 °C
	Humidity	20 - 80 % (Without condensation)
Storage environment	Temperature	- 20 - 55 °C
	Humidity	20 - 80 % (Without condensation)
Power	Power supply	AC 100 - 240 V, 50/60Hz 5.5 A
	Power consumption	Max 550 W
	Power connector	3P IEC type
Weight	51 kg (Approximately)	
Accessories	User's manual	
Gross	68 kg / 1452 (W) x 1020 (H) x 582 (D) mm	

*1 Viewing angle: Angle at which images are displayed at a white-to-black contrast level of 30 or higher.

*2 Average of the response speeds between certain gradation levels (for example, 0, 63, 127, 191, 255)

Outline drawings (mm)

